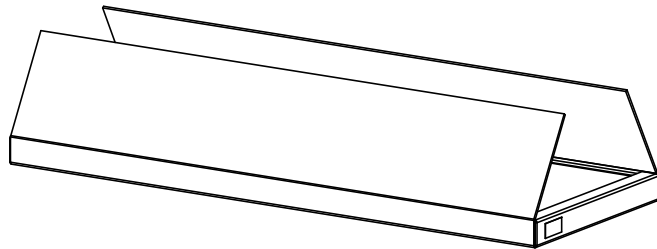


ITEM NO.	QTY.	PART NO.	REVISION	DESCRIPTION	DIN-ISO	REMARKS
1	1	332720	0	Cardboard box, 8mm		Inside 2060x738x78
2	1	127060	0	Top plate assembly		
3	1	328570	1	Back plate		
4	1	328530	1	Bottom plate		
5	1	328640	1	Front base plate		
6	1	328580	1	HDF Cover plate		
7	1	127070	0	Mounting bag A, TS700 Drawer		
8	1	127080	0	Mounting bag B, TS700 Drawer		
9	1	127090	0	Mounting bag, TV-Lift		
10	1	331740	0	Mounting instruction		
11	2	332740	0	EPS distance block		738x76x30, 12kg/m <sup>3</sup>
12	1	332750	0	EPS distance block		2000x76x30, 12kg/m <sup>3</sup>
13	2	328650	1	Side base plate		
14	2	329160	1	Side shelf		
15	1	329170	1	Middle shelf		
16	1	316960	0	ID label		
17	2	331420	0	HDF Cover plate		
18	2	332780	0	Cardboard piece		2000x675x8mm
19	1	332800	0	EPS distance block		1250x76x15, 12kg/m <sup>3</sup>
20	2	332810	0	EPS distance block		375x76x30, 12kg/m <sup>3</sup>

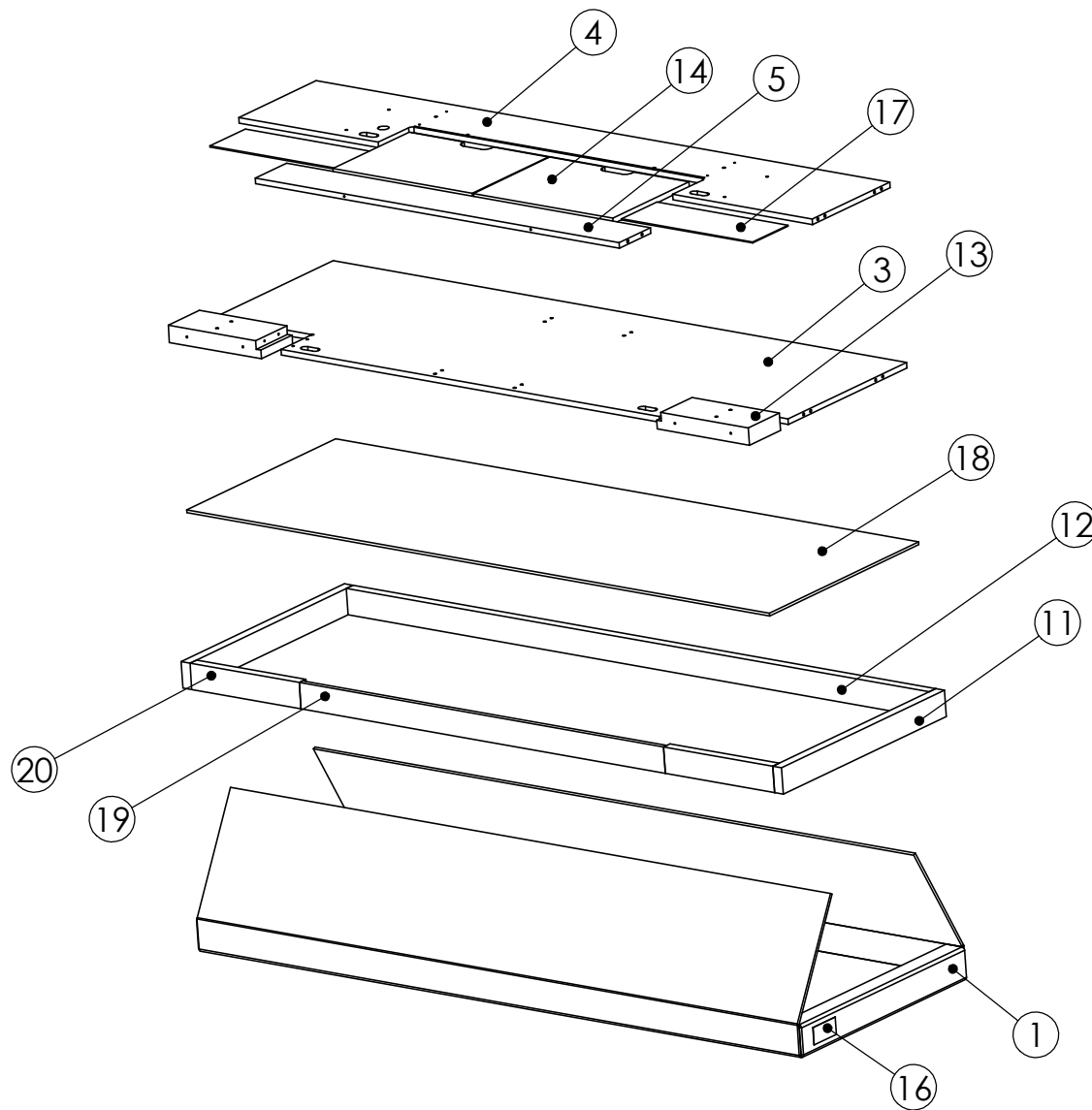
\*\*\* Label specification

Template 316960.x  
 No. on label CAB700 WG200 1/2  
 Description TS700 Drawer, Colli 1/2  
 Bar code 5 708499 127592  
 Size, label 100x50mm  
 -----  
 Tape used clear tape

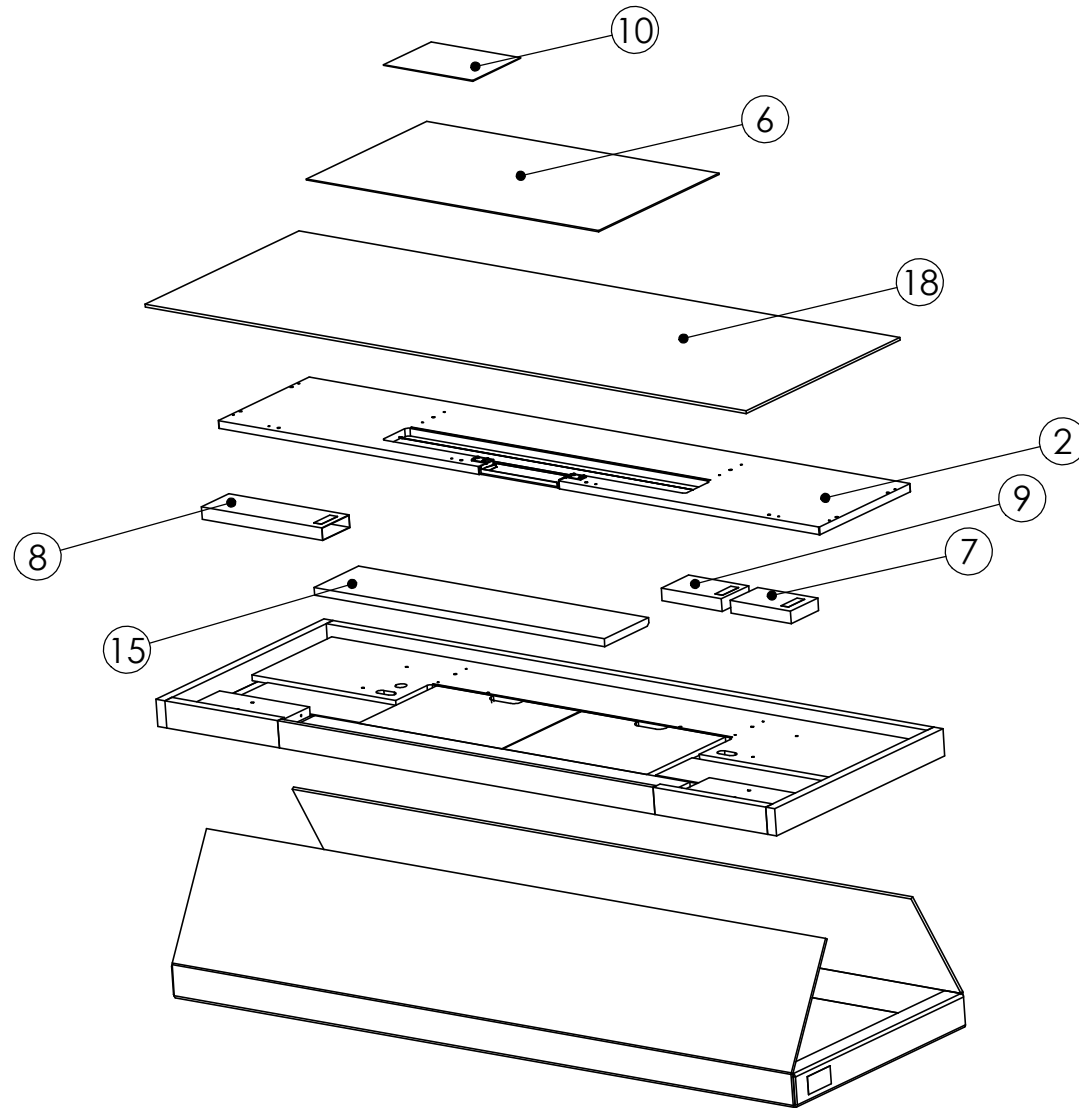


Layer of foam between each component  
 Different design of box #332720 allowed

DO NOT SCALE DRAWING SHEET 1 OF 3		WEIGHT:			<b>VENSET A/S</b> Nygade 63 - 6900 Skjern - Denmark <a href="http://www.venset.com">www.venset.com</a>
UNLESS OTHERWISE SPECIFIED: DIMENSIONS ARE IN MILLIMETERS TOLERANCES: LINEAR: According to ANGULAR: DIN 7168-m		NAME	DATE	TITLE:	
<b>PROPRIETARY AND CONFIDENTIAL</b> THE INFORMATION CONTAINED IN THIS DRAWING IS THE SOLE PROPERTY OF VENSET A/S. ANY REPRODUCTION IN PART OR AS A WHOLE WITHOUT THE WRITTEN PERMISSION OF VENSET A/S IS PROHIBITED.		DRAWN	jo	14-10-2011	TS700 Drawer packed, Colli 1/2
		CHECKED			
		Processes:		packing labelling	DWG NO.
		REMARKS:			127590
					REVISION
					0



DO NOT SCALE DRAWING	SHEET 2 OF 3			<b>VENSET A/S</b> Nygade 63 DK-6900 Skjern Denmark
UNLESS OTHERWISE SPECIFIED: DIMENSIONS ARE IN MILLIMETERS TOLERANCES: LINEAR: According to ANGULAR: DIN 7168-m	DRAWN	NAME jo	DATE 14-10-2011	TITLE:  TS700 Drawer packed, Colli 1/2
	CHECKED			
<b>PROPRIETARY AND CONFIDENTIAL</b> THE INFORMATION CONTAINED IN THIS DRAWING IS THE SOLE PROPERTY OF VENSET A/S. ANY REPRODUCTION IN PART OR AS A WHOLE WITHOUT THE WRITTEN PERMISSION OF VENSET A/S IS PROHIBITED.	Processes: packing labelling			DWG NO.  127590
	WEIGHT:			REVISION  0



DO NOT SCALE DRAWING	SHEET 3 OF 3			<b>VENSET A/S</b> Nygade 63 DK-6900 Skjern Denmark
UNLESS OTHERWISE SPECIFIED: DIMENSIONS ARE IN MILLIMETERS TOLERANCES: LINEAR: According to ANGULAR: DIN 7168-m		NAME	DATE	TITLE:
	DRAWN	jo	14-10-2011	TS700 Drawer packed, Colli 1/2
<b>PROPRIETARY AND CONFIDENTIAL</b> THE INFORMATION CONTAINED IN THIS DRAWING IS THE SOLE PROPERTY OF VENSET A/S. ANY REPRODUCTION IN PART OR AS A WHOLE WITHOUT THE WRITTEN PERMISSION OF VENSET A/S IS PROHIBITED.	Processes:		packing labelling	DWG NO.
	WEIGHT:			127590
				REVISION 0