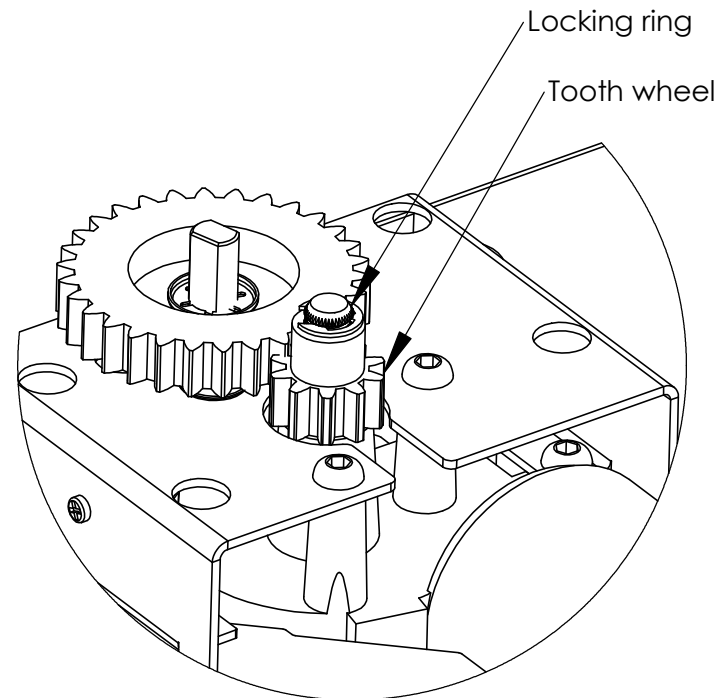
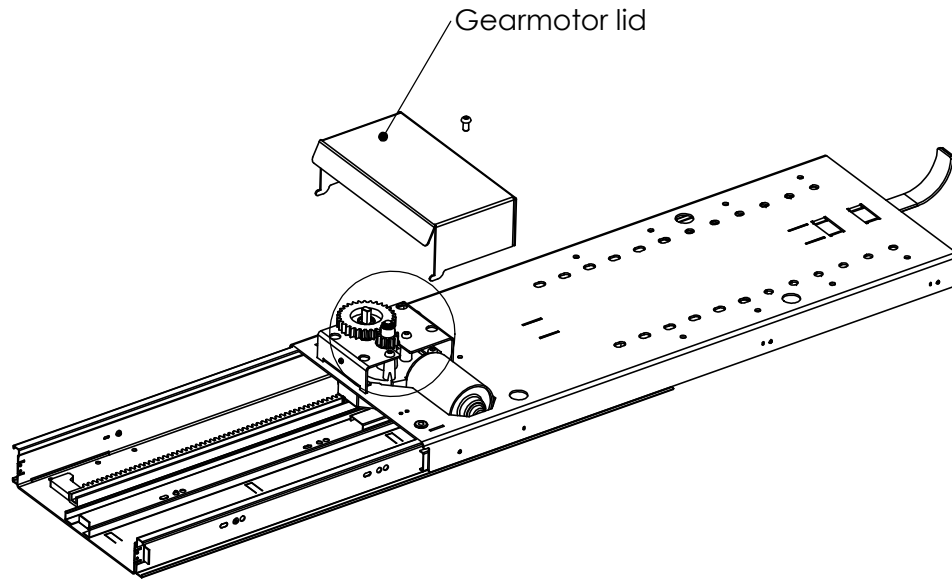


Instruction, TS750 curly wire replacement

Step 1;
Move the lift to a height so gain access to all fixing points of curly wire.

Step 2;
Remove gearmotor lid

***If the lift is not possible to operate due to the broken wire, the locking ring/tooth wheel has to be removed and the lift can be moved by hand



Step 3;
Cut all cable ties fixing the curly wire

Step 4;
Loosen screw fixing terminal block and
pull out the terminal block (pulled out to
the left side)

Step 5;
Replace curly wire, see below for wiring

