

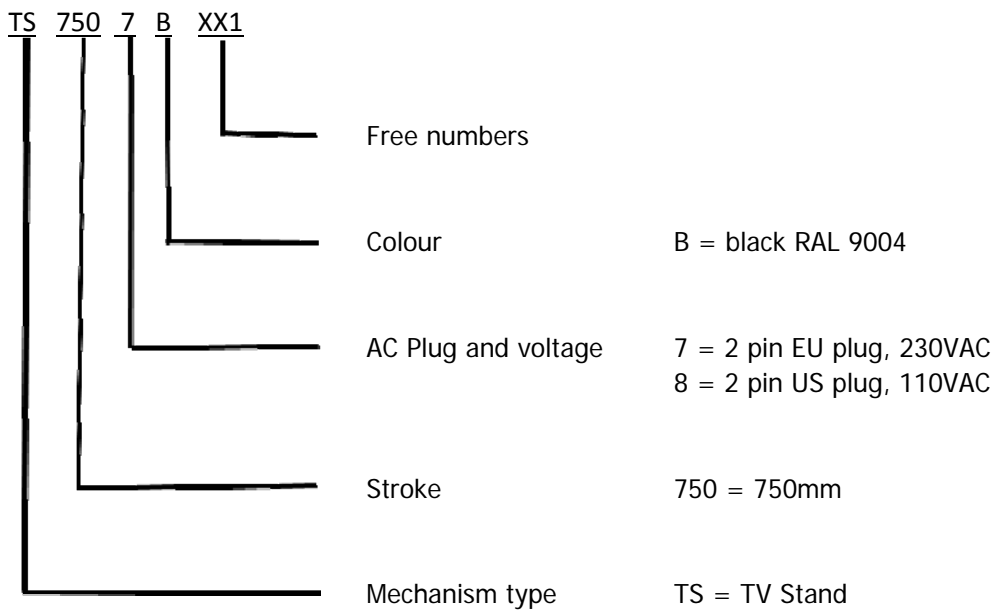
Table of contents

Article numbers	page 3
Packing details	page 4
Bill of material	page 5
Assembly and use	page 6
Dimensions	page 7
Specifications	page 8
Safety & test	page 9

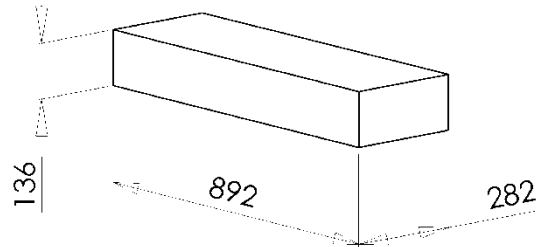
Article numbers

Article number	EAN code
TS750 7BXX1	5 708499 107433
TS750 8BXX1	57 08499 107419

Ordering example

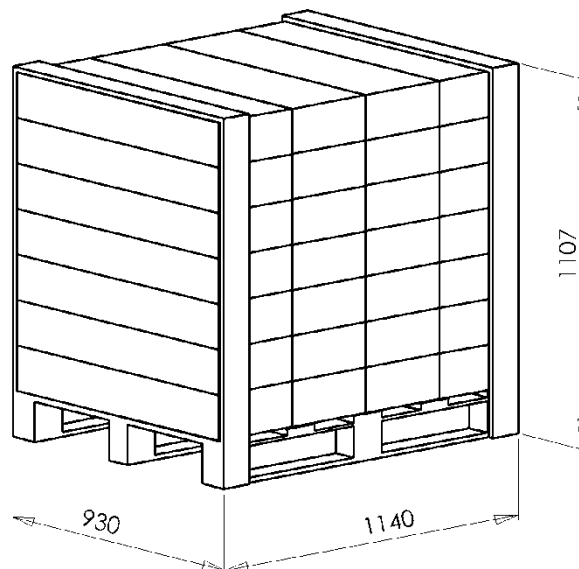


Packing details



1 pcs.

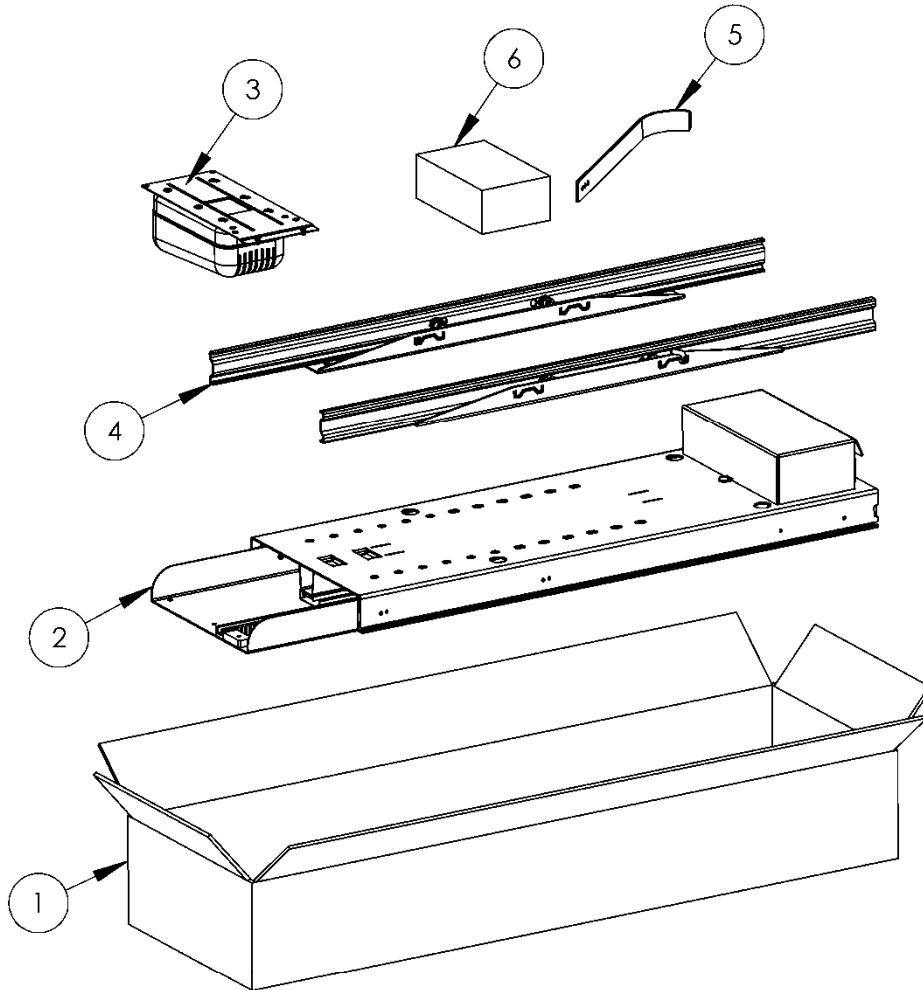
19,9 kg



28 pcs.

558 kg

Bill of material

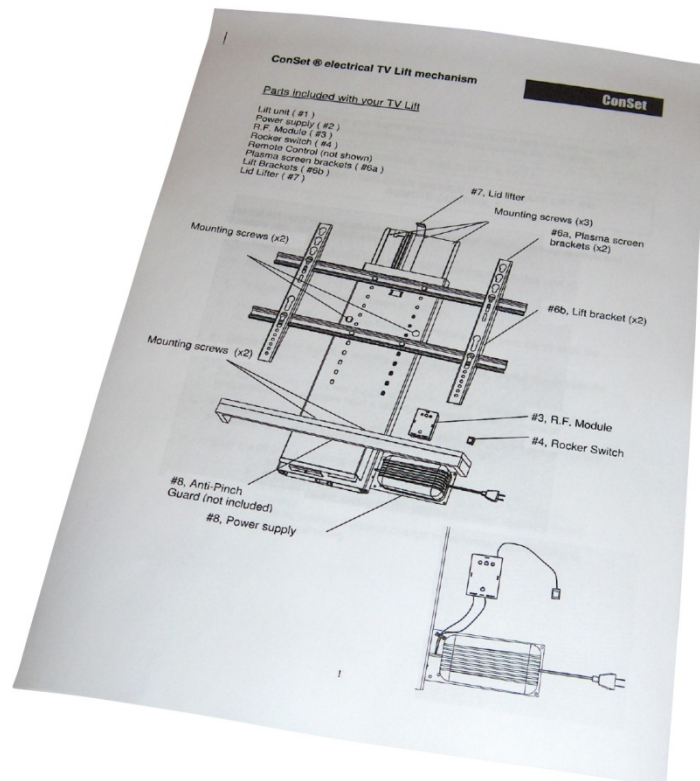


ITEM NO.	QTY.	PART NO.	DESCRIPTION
1	1	311010	Cradboard box
2	1	105680	Electric flat lift
3	1	105570	Power supply assembly
4	2	105700	Plasma/LCD arm
5	1	105580	Lid lifter
6	1	110080	RF remoteset

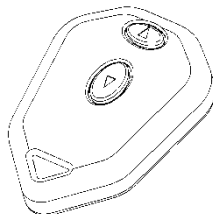
Assembly and use

The electrical components should be connected after mounting the lift. All wires have DC jacks and since using different types (size- male/female) only the correct connection can be made.

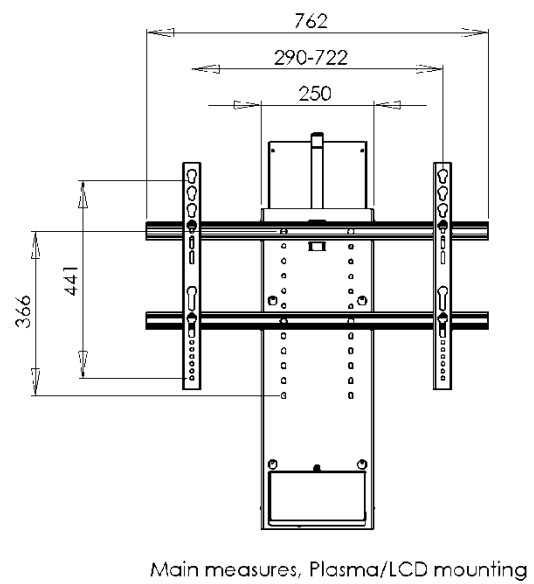
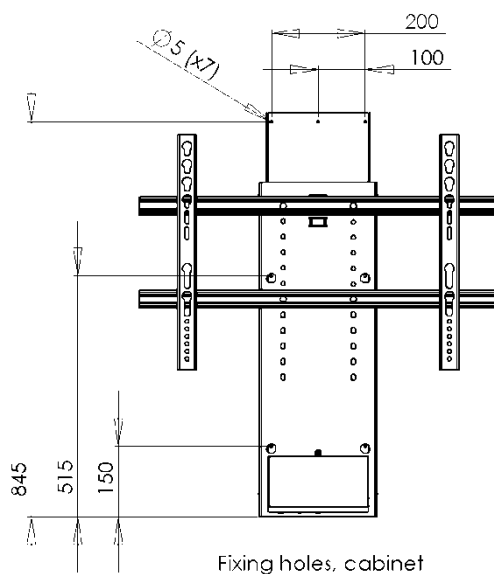
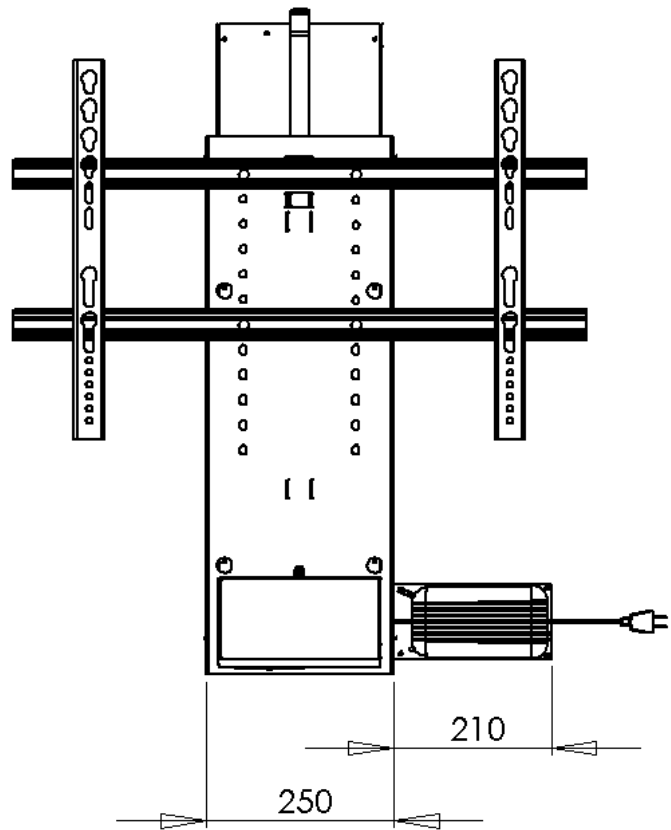
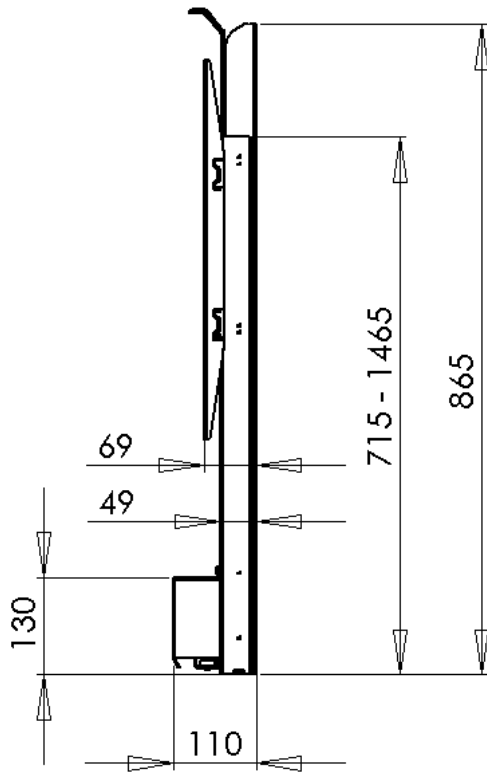
All products come with an instruction manual.



The mechanism can now be operated up and down using the supplied remote unit. Push "△" and the lift will expand. Push "▽" and the lift will contract.



Dimensions



Specifications

Mechanism

Stroke	750mm
Lifting capacity	100 kilos
Speed	28 mm/sec
VESA	400x100 – 400x400 – 600x200 – 600x400

Component

Metal sheet parts:	St 37-2
Gear parts:	St 70-2
Gear motor:	Bosch no. 0 390 257 685
Power supply:	60 W AC Power Transformer Consumption: 60 Watts; Standby: Max 1,2 Watts
Plastic components:	PEHD, PA6
Surface treatment	Visible metal parts powder coated in black colour, RAL 9004 Non visible metal parts are surface treated (e.g. zinc plated)
Remote system	RF signal operated (Radio frequency – 433,92Hz)

Safety & test

Declaration of conformity

We hereby declare, under our sole responsibility that the following products:

- ConSet electric TV-lift mechanism product type TS750

which are covered by this statement, are in conformity with the following standards and other normative documents::

- Counsel Directive 89/336/EØF with later changes
- Counsel Directive 73/23/EØF with later changes

EF – komponenterklæring type "bilag II B"

EEC Declaration of a component "appendix II B"

Fabrikant (navn og adresse):

Manufacturer (name and address):

ConSet A/S, Staalvej 14-16, 6900 Skjern, Denmark

Erklærer hermed, at følgende produkt:

Hereby certify that the following product:

Benævnelse, mærke, type:

TS750 7BXX1

Description, ID/mark, type:

Evt. serienr.:

Serial No. if any:

Evt. bemyndigede organ og nr.

Notified body if any:

Teknologisk Institut, Århus, Denmark

Evt. EF- typeattest:

EEC-type certificate if any:

Evt. Harmoniserede standarder:

Harmonised standards if any:

Er fremstillet i overensstemmelse med bekendtgørelse nr. 561 af 24. juni 1994, der gennemfører EUROPA-PARLAMENTETS OG RÅDETS DIREKTIV 98/37/EF

Made according to announcement No. 561 of June 24, 1994 that implements the DIRECTIV 98/37/EF

Ovennævnte produkt må **IKKE** tages i brug, før den maskine, hvori det er indbygget eller hvortil det skal anvendes er erklæret i overensstemmelse med alle relevante bestemmelser.

Above product may **not** be taken into use, before the machine into which it has been built in or to which purpose it must be used for, conform to any relevant regulations.

Navn, titel og underskrift af fabrikanten:

Name, title and signature of manufacturer:

Michael Overgaard, Direktør

05-11-2007

Dato/date

Underskrift/signature