

Installation

- connect the power supply and the motor unit to the remote receiver. 2 different plug sizes make this connection only possible to make in the right way
- after having connected the plugs, the blue light will be lightning
- push the emitter buttons and the motor unit will move up and down
- for stopping the motion one of the buttons need to be pushed

Learning

- if the remote receiver do not respond when pushing the emitter buttons, reset the receiver. After that, code the emitter and receiver together again

Coding

- push the learner button on the receiver for less than 1 sec.
- push one of the emitter buttons
- the red light will start flashing
- push one of the emitter buttons again and the red light will turn off
- the units now are coded together with a unique code

Reset

- push and hold down the learner button on the receiver for 10 sec. (will be reset when the red light turns off).

External rocker switch

- the external rocker switch can be connected to the receiver, if a fixed operation unit is required.

Trouble shooting

- check the plug connections
- check whether the blue light is on
- reset the receiver and make a new coding

Setting options for operation of lift

This remote system has 4 'jumpers' inside the remote receiver box, these can be lifted and positioned 'Left' or 'Right' depending of how the functionality of the lift should be.

Jumper A – Power safety cut off time

Default 'Left' = 60 seconds. If moved to right position then the lift will power off automatically after the motor has run for 20 seconds.

Jumper B – Remote emitter function

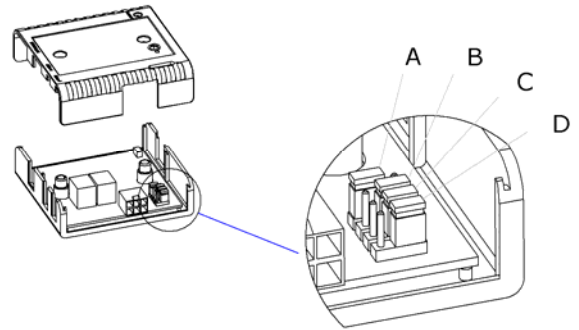
Default 'Right' = the buttons on the emitter only need to be pushed once for activation. If moved to the left position then the emitter button will need to be held down during the operation of the lift, i.e..for use where a higher level of safety may be required.

Jumper C – Auto-reverse time (type A lifts only)

Default 'Right' = a reverse period of 1 second. If moved to the left position, the reverse time is reduced to 0.6 of a second.

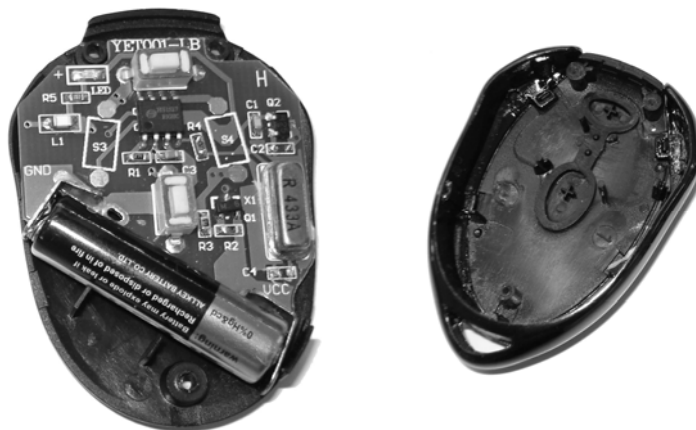
Jumper D – Using the lift upside down (type A lifts only)

Default 'Right' = normal operation in an upright position i.e.. to raise a TV up and down from a floor standing cabinet. If moved to the left position the reverse function will work with the lift mounted upside down i.e.. to lower down and up a TV from the bottom of a wall mounted. If no reverse function is required then remove the jumper.



Change of battery in emitter (type 27A/12V)

- remove lid on back side
- lift up battery
- place new battery



FCC Statement

This device complies with Part 15 of the FCC rules. Operation is subject to the following two conditions; 1) This device may not cause any harmful interference and 2) This device must accept any interference received, including interference that may cause undesired operation.