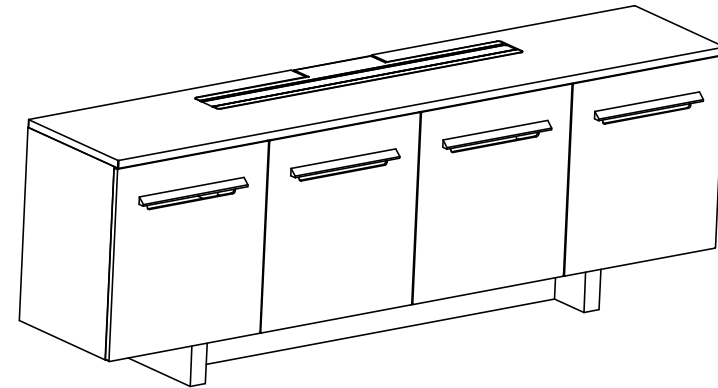
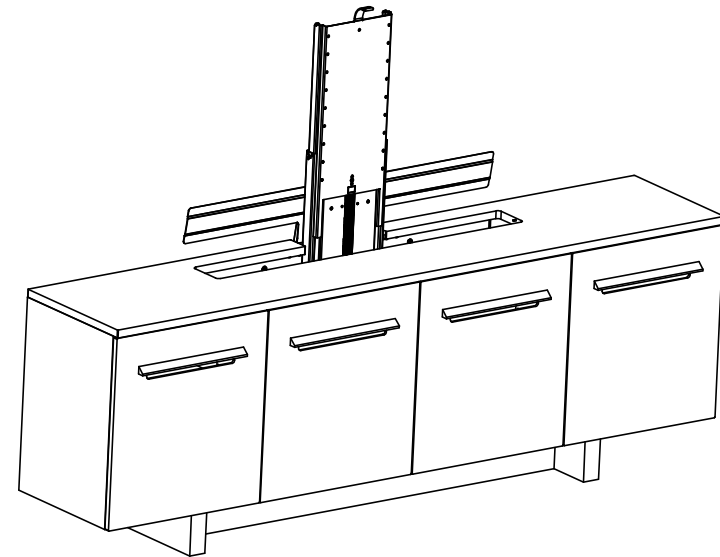


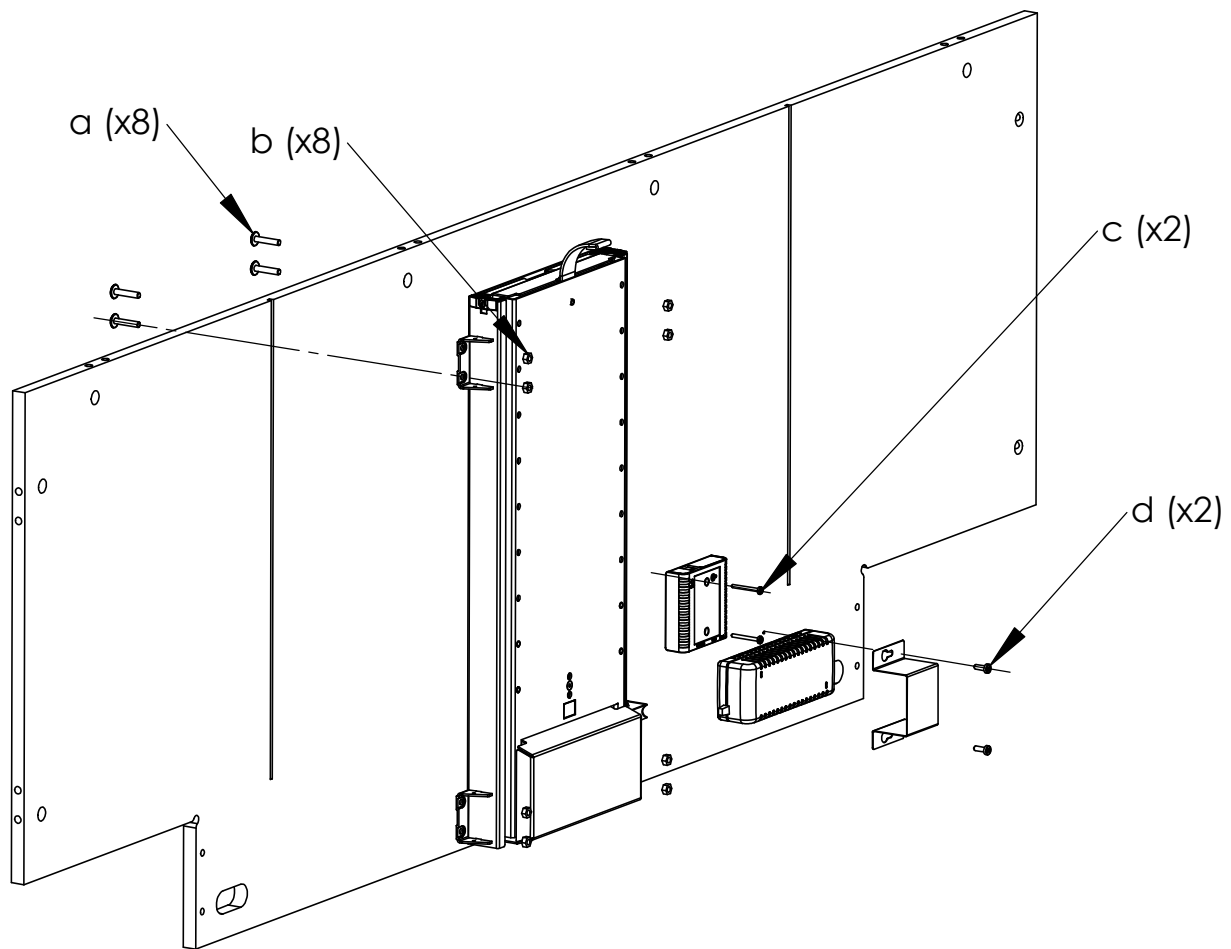
Mounting instruction, TS700 Drawer

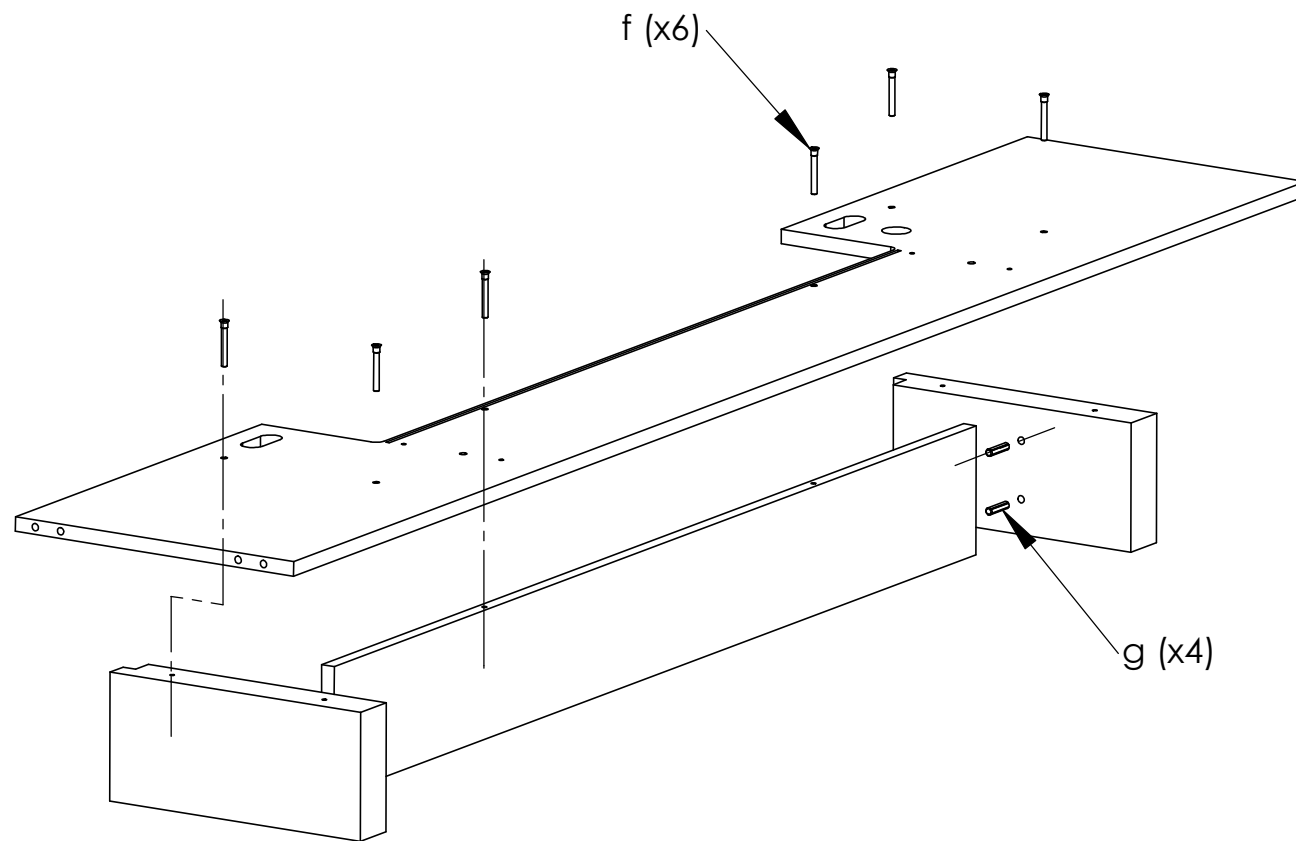


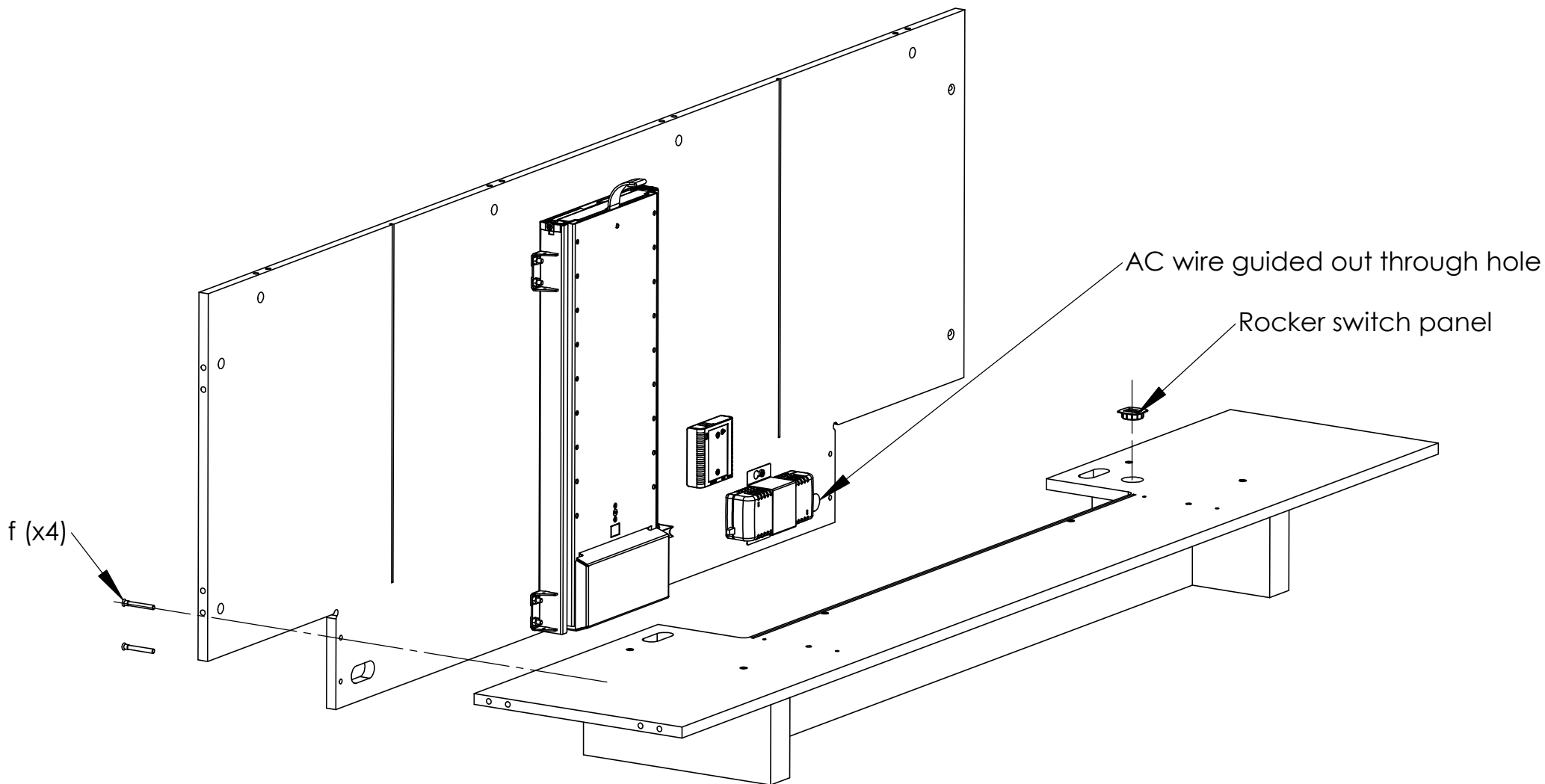
Content

- page 1 mounting of lift
- page 2 mounting of base
- page 3 mounting of lift to drawer
- page 4 mounting of vertical elements
- page 5 mounting of cover plates
- page 6 mounting of lid
- page 7 mounting of doors
- page 8 overview of mounting bags

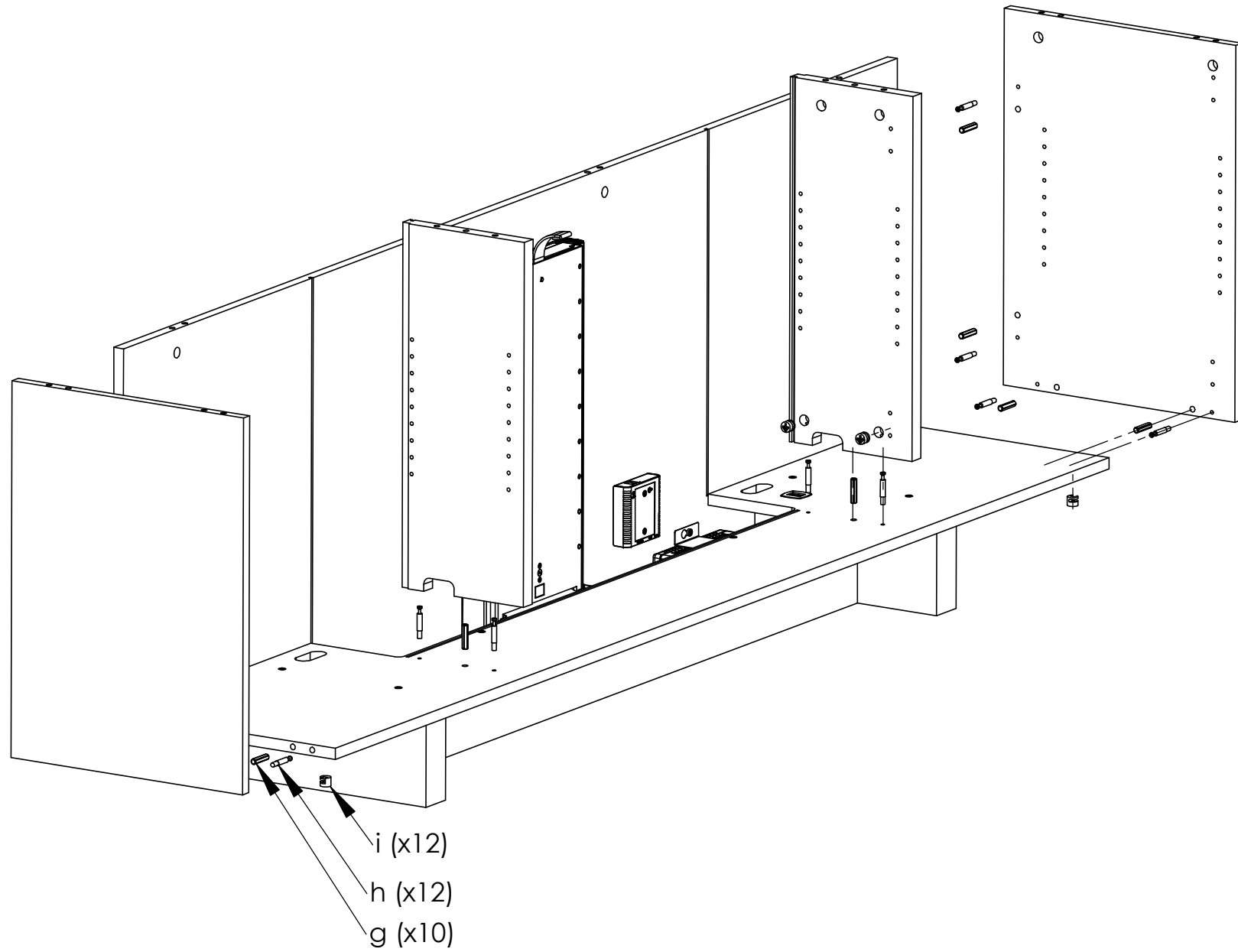


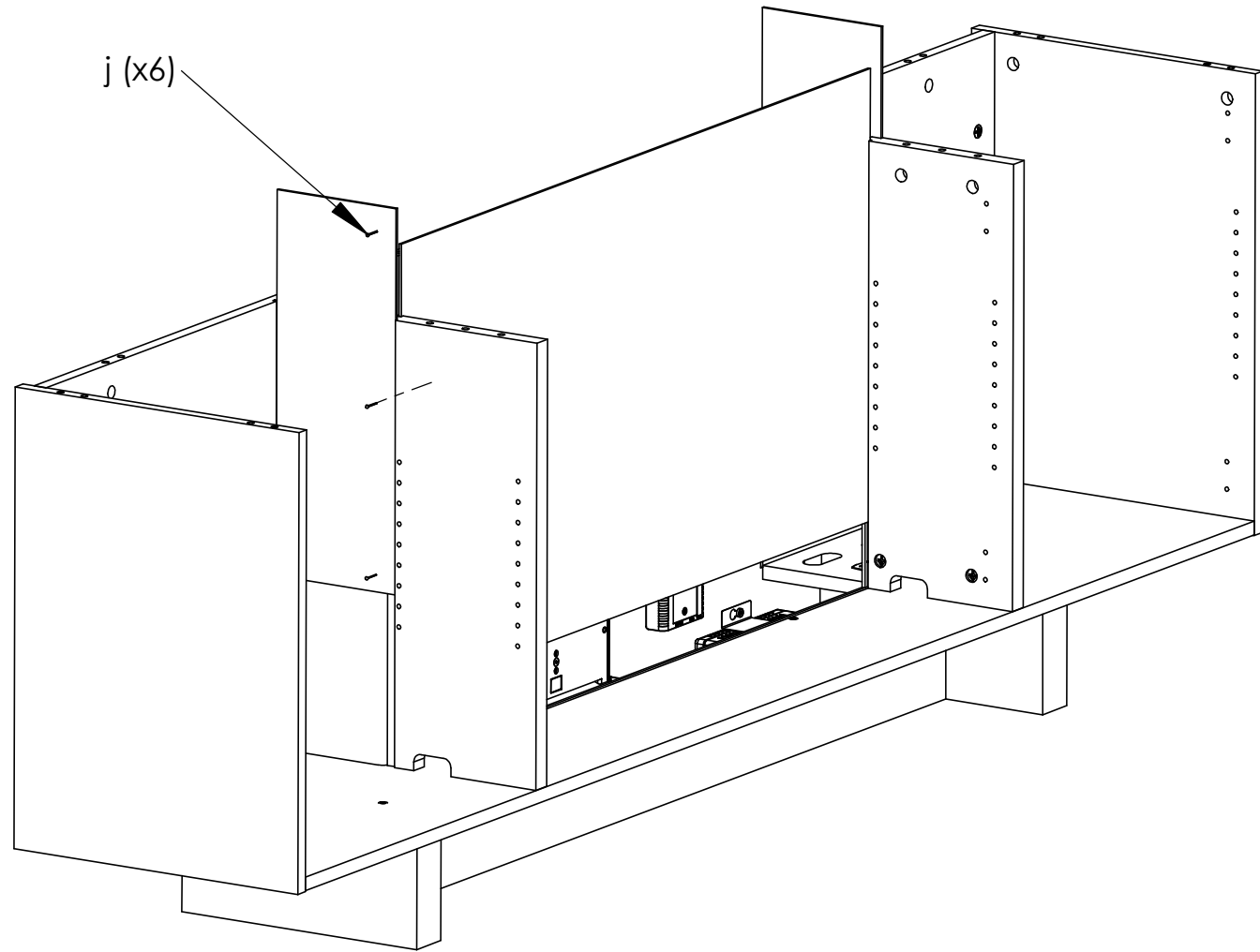


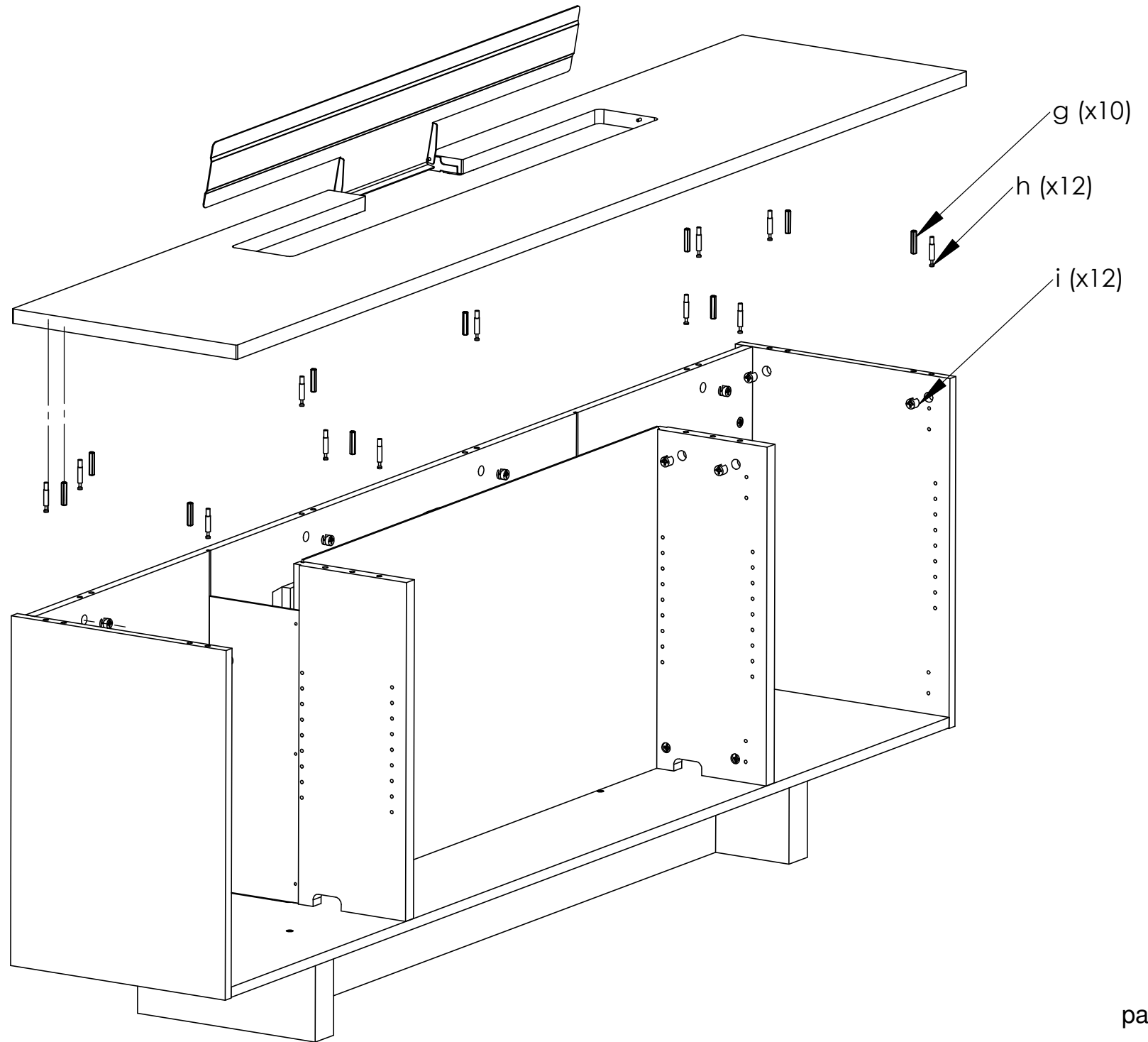


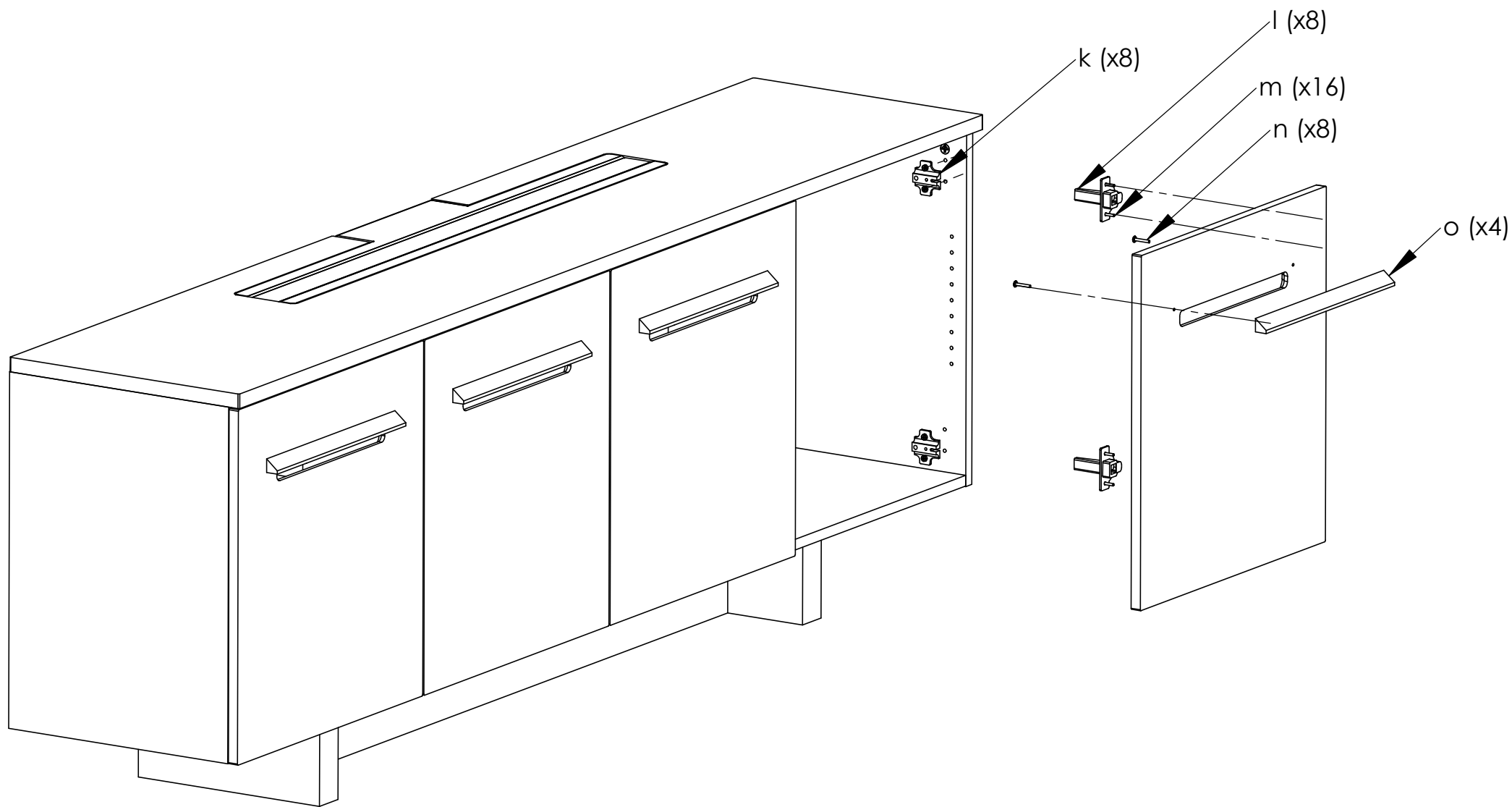


Before moving to next step finalize lift wiring

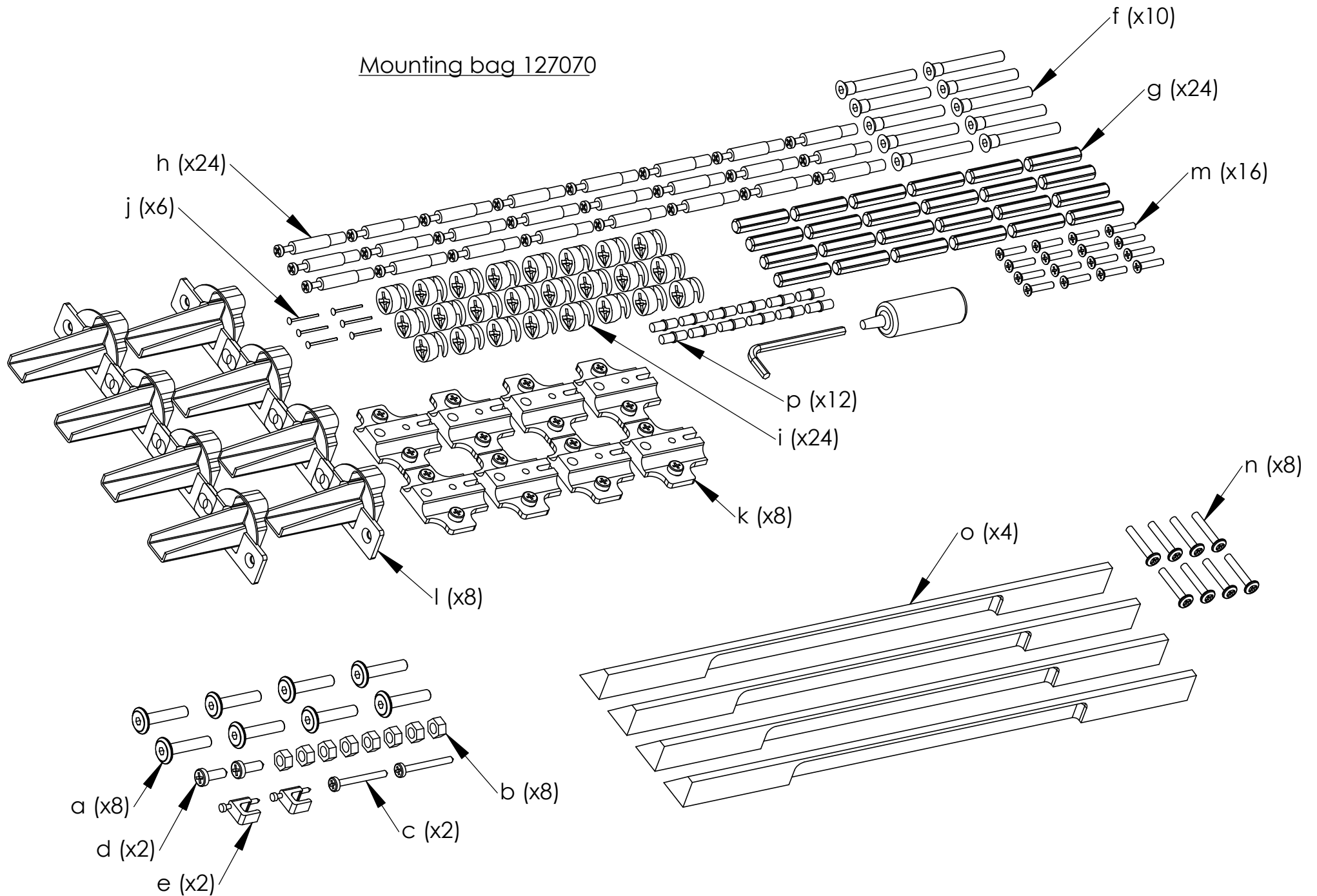








Mounting bag 127070



Mounting bag 127080

Mounting bag 127090