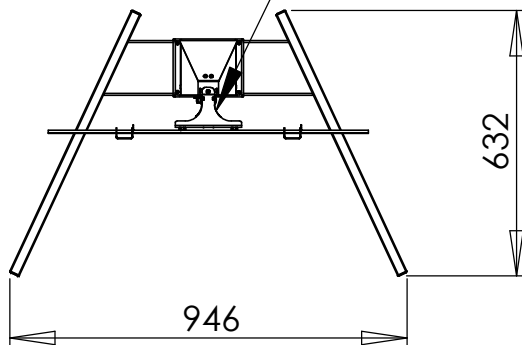


swivel head with turn of +/-45 degrees



DO NOT SCALE DRAWING	SHEET 4 OF 5			VENSET A/S Nygade 63 DK-6900 Skjern Denmark
UNLESS OTHERWISE SPECIFIED: DIMENSIONS ARE IN MILLIMETERS TOLERANCES: LINEAR: According to ANGULAR: DIN 7168-m	DRAWN	NAME jo	DATE 20-01-2012	TITLE: DF019 7S SB000 MBSF
	CHECKED			DWG NO. 130480
PROPRIETARY AND CONFIDENTIAL THE INFORMATION CONTAINED IN THIS DRAWING IS THE SOLE PROPERTY OF VENSET A/S. ANY REPRODUCTION IN PART OR AS A WHOLE WITHOUT THE WRITTEN PERMISSION OF VENSET A/S IS PROHIBITED.	Processes:		WEIGHT:	REVISION 0